



**ROSENFIRE**

YOUR NEXT EQUIPMENT

# TECHNICAL SHEET



## UHPS 38/150 B23

The fire engines for modules consist of self-priming piston pumps mounted on a welded steel frame protected against corrosion by epoxy paint. The hoses reels are made by die-cast structure in light alloy with galvanized steel axial feed, retractable handle and locking system. Optionally is available electric rewinding system. The motor pump is complete with a full / mist jet gun. The motor pumps can be supplied with a traditional mixing system which allows a regular and pressure loss insensitive mixing regardless the length, the roughness and the diameter of the delivery pipe.

The high-pressure system (100bar) allows a minimum consumption of the water reserve with an effective and pushed atomization.

The motor pump is equipped with an automatic acceleration system which automatically accelerates the engine when the water/foam lance is opened and decelerates when the lance is closed. This system guarantees lower fuel consumption, safeguarding the environment, and the motor pump can be used by a single operator.

### ENGINE

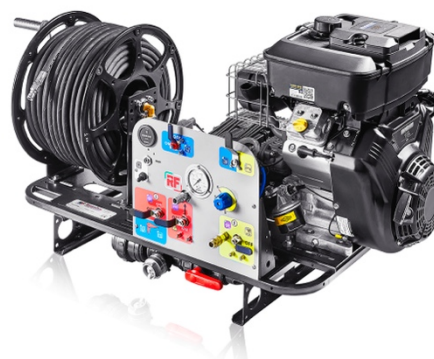
Make and type	B&S V-TWIN VANGUARD 23 HP
Cylinders	2 – cast iron sleeve
Bore x Stroke	75,5 x 70 mm.
Displacement	627 cc.
Engine output	17,2 kW / 23 HP-N(80/1269/CEE) ISO
Max Torque	30,6 Nm @ 200 rpm
Fuel tank	8,5 liters integrated
Oil capacity	1,7 liters
Length	318 mm.
Width	410 mm
Height	449 mm
Dry weight	35 kg.

### PUMP

Type:	Gear pump with (3) high pressure plungers
Max output:	38 liters/min
Max pressure:	150 bar
Pump rpm:	1450 rpm
Absorbed power:	11 kW / 15 HP
Suction inlet:	STORZ

### FOAM SYSTEM

Type:	«On-line» system to admix directly the foam liquid on the outlet and to have the possibility to have water on the second outlet at the same time.
-------	--





**ROSENFIRE**

YOUR NEXT EQUIPMENT

# TECHNICAL SHEET



## UHPS 38/150 B23

### MAIN HOSE REEL

High pressure main hose reel manufactured with high resistance light alloy, with locking system, manual rewinding and 80 meters HP hose type R1 with quick coupling. Swiveling system for hose orientation and hose guide.

### «ALL IN ONE» TRIPLE USE GUN

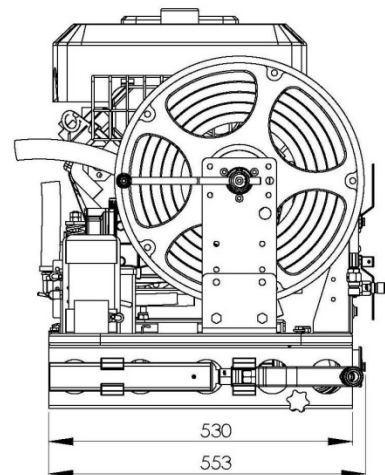
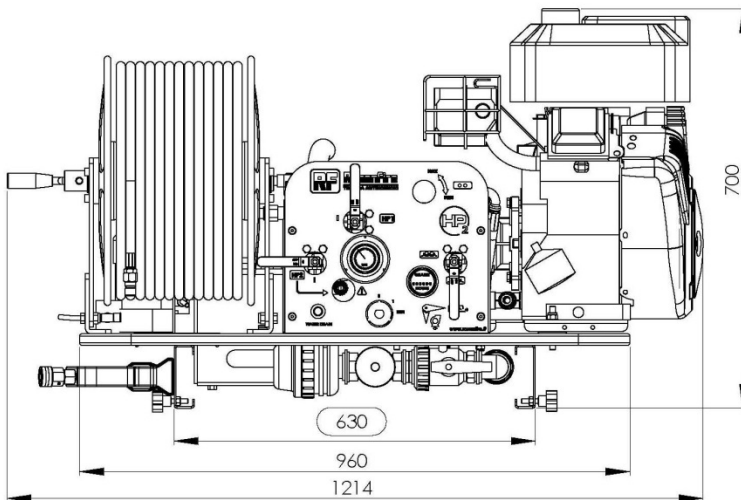
Ergonomic gun with three commutating levels:

- 1 Full water jet
- 2 Nebulized water jet
- 3 Foam jet

Output 25 lt / 1'

Range 20 meters water full jet

The handle is disconnectable from nozzle and can be used with other accessories.



### ACCESSORIES

- Suction hose, one piece, 6 meters of steel coiled rubber hose with STORZ coupling on one side and suction valve on the other side
- Suction key
- Small tool kit (engine original)
- Booklets for pump and engine use

### DRAIN SYSTEM (Optional)

The compressor kit allows the quick emptying of the piston pump and all piping. The 12 V compressor is directly connected to the suction collector of the pump. Very useful and safe for climates with temperatures below 0° C.



### HOSE REEL ELECTRICAL REWIND (Optional)



ROSENFIRE S.r.l.  
Via G. Bormioli, 3 - I-25135 BRESCIA / ITALY  
Ph. +39 030 2548566 - Fax +39 030 2548420  
Web www.rosenfire.it - Mail info@rosenfire.it